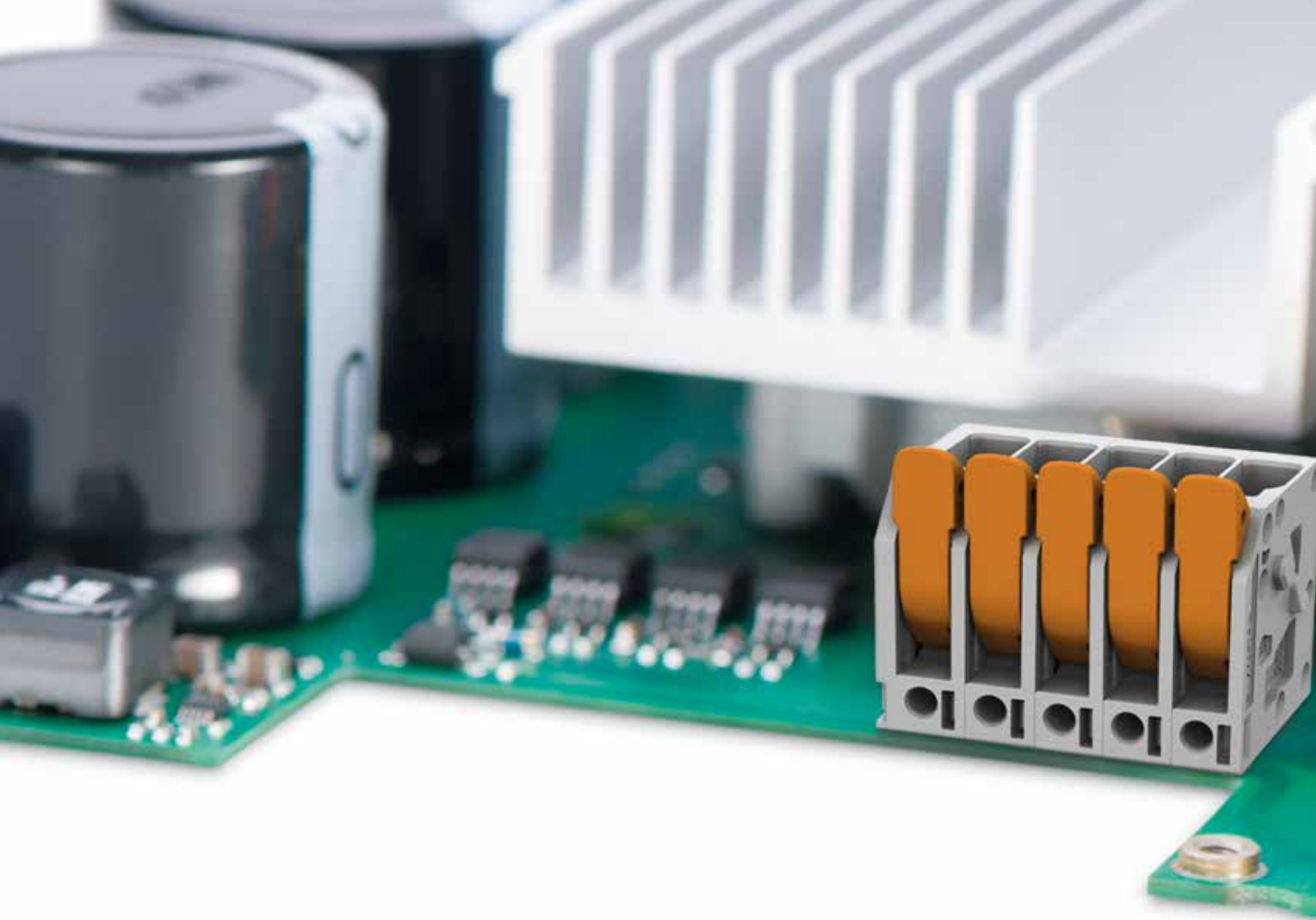




PCB Terminal Blocks and Connectors for Power Electronics

More Power on Your PCB





MORE POWER ON YOUR PCB

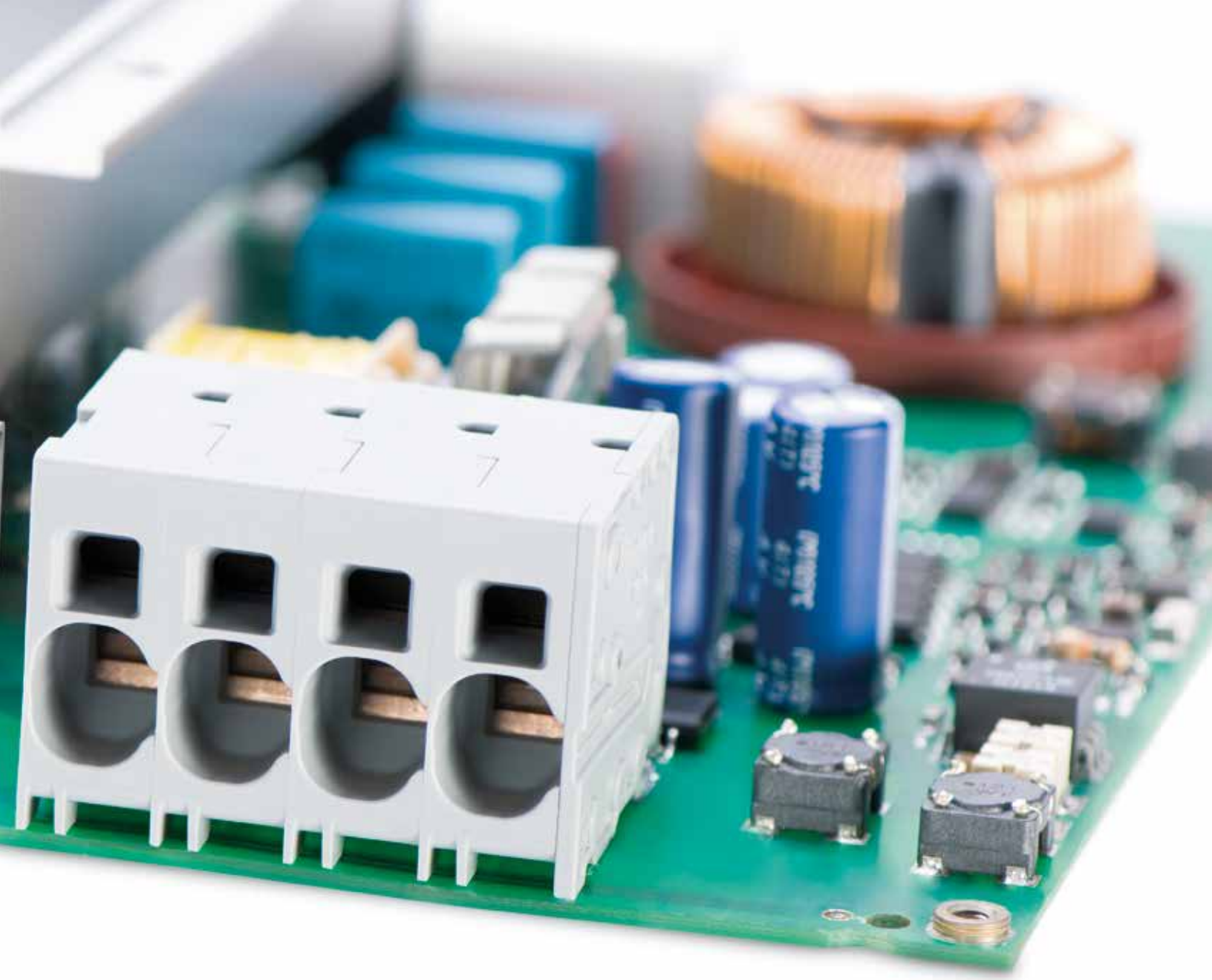
More Power No Longer Means More Space

The trend toward electronic miniaturization requires that both power and signal levels be integrated on PCBs. This results in increased power density, requiring connection technologies suited for both compact and high-performance PCB terminal blocks.

Connection technology is also a basic consideration for selecting the right terminal block in demanding applications, such as power supplies, frequency inverters or servo drives. Additional decision factors include ease of operation, as well as wiring flexibility.

Every Advantage – All in One

The wide range of PCB terminal blocks for power electronics combines all of these features. PCB terminal blocks are available in three sizes, rated for maximum wire sizes of 10, 8, and 4 AWG respectively. PCB Connectors with lever operation are available in two sizes, rated for maximum wire sizes of 8 and 4 AWG respectively. Most components are footprint compatible to existing solutions, but surpass existing solutions in current capacity, wire range, and ease of handling.



Thanks to our innovative spring pressure connection technology, the PCB terminal blocks and connectors for all applications ideally blend ergonomics and safety. Push-in CAGE CLAMP® enables solid and ferruled conductors to be connected by simply pushing them into the unit, while guaranteeing secure and maintenance-free connections for all conductor types. Furthermore, the power electronics interconnect range is not only simple and easy to use, but also offers maximum wiring flexibility.



Learn more at:
www.wago.us/powerelectronics

Advantages:

- Comprehensive product range from 24 to 4 AWG
- Push-in CAGE CLAMP® termination
- High current capacity and voltage ratings up to 1000 V
- Wire horizontally or vertically to the PCB
- Test both parallel and perpendicular to conductor entry

PCB TERMINAL BLOCKS WITH Push-in CAGE CLAMP®

2624, 2626, 2636 Series

PCB terminal blocks with Push-in CAGE CLAMP® are ideal for compact device connections. Push-in CAGE CLAMP® is suitable for all conductor types and enables solid and ferruled conductors to be connected by simply pushing them into the unit. Tool-actuated termination is performed parallel to conductor entry. PCB terminal blocks terminate conductors either horizontally or vertically to the PCB. Furthermore, they can be tested both parallel and perpendicular to conductor entry.

Advantages:

- Compact device connection
- Ideal for panel feedthrough and space-restricted applications
- Operation parallel to conductor entry
- Footprint and dimensional compatibility with existing solutions
- Compliant with EN and UL 61800-5-1 for adjustable electric power drive systems (details upon request)



Conductor Range:

AWG	24	22	20	18	16	14	12	10	8	6	4	AWG
2624 Series	All conductor types											Pin spacing: 5 / 7.5 / 11.5 mm
2626 Series			All conductor types								Pin spacing 7.5 / 12.5 mm	
2636 Series				All conductor types								Pin spacing 10 / 15 mm

PCB TERMINAL BLOCKS WITH Push-in CAGE CLAMP® AND LEVER

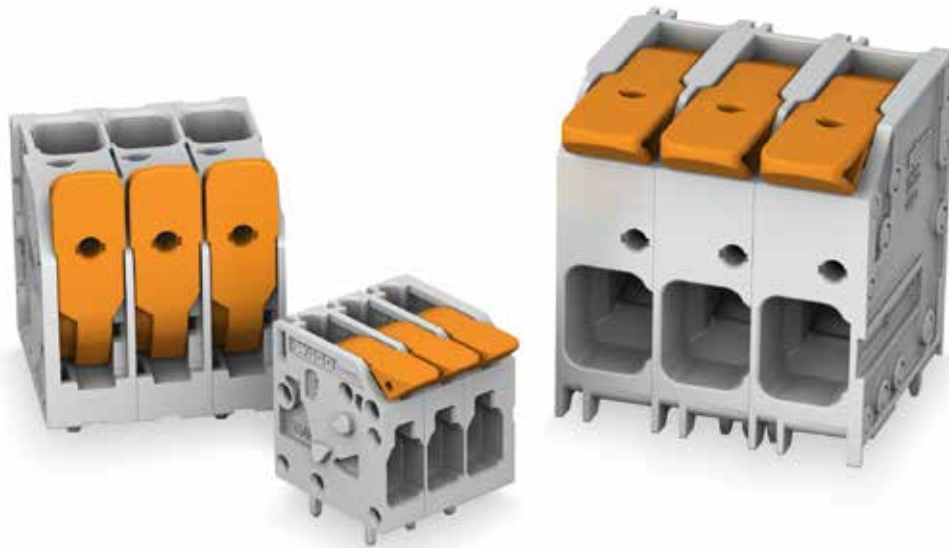
2604, 2606, 2616 Series

Lever-equipped PCB terminal block variants offer faster and easier wiring. They combine a compact design, high current carrying capacity and the advantages of Push-in CAGE CLAMP® with the additional benefits of intuitive lever operation.

The lever permits 100% tool-free operation and provides a secure connection when the easy-to-use lever closes the clamping unit. The lever also clearly locks in position (open/close) with a tactile and audible click. PCB terminal blocks with lever terminate conductors either horizontally or vertically to the PCB. Furthermore, they can be tested both parallel and perpendicular to conductor entry.

Advantages:

- Faster and easier wiring
- Tool-free, intuitive lever operation
- Effortlessly return lever to closed position for secure connection
- Lever clearly locks in position (open/close)



Conductor Range:

AWG	24	22	20	18	16	14	12	10	8	6	4	AWG
2604 Series	All conductor types											Pin spacing: 5 / 7.5 / 11.5 mm
2606 Series			All conductor types									Pin spacing 7.5 / 12.5 mm
2616 Series			All conductor types								Pin spacing 10 / 15 mm	

2624 SERIES

- PCB terminal block (10 AWG max.) with Push-in CAGE CLAMP® termination
- Push-in termination of solid, ferruled, and rigid-stranded conductors
- Test ports both parallel and perpendicular to conductor entry
- 5 mm, 7.5 mm, or 11.5 mm pin spacing
- Side entry or top entry versions
- Ideal for panel feedthrough applications as operation is parallel to conductor entry



Insert solid or ferruled conductors via push-in termination

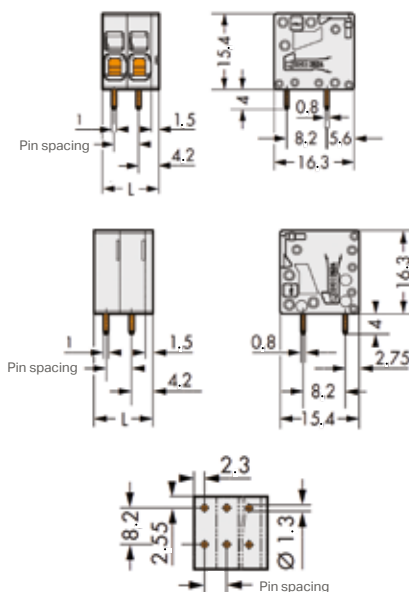


Insert fine-stranded conductors and remove all conductors via operating tool



PCB terminal block for panel feedthrough connections

2624 Series						
Pin Spacing	5 mm	7.5 mm	11.5 mm	Conductor Data		
Ratings per	UL 1059			Connection Technology	Push-in CAGE CLAMP®	
Use Group B	26 A 300 V	26 A 300 V	26 A 600 V	Conductor Range	24 - 10 AWG	
Use Group C	-	26 A 150 V	26 A 600 V	Strip Length	10 - 12 mm	
Use Group D	26 A 300 V	26 A 300 V	-	Solder Pin Data		
Maximum Operating Temp.	120 °C			Solder Pin Length	4 mm	
Flammability Class per UL94	V0			Solder Pin Dimensions	0.8 x 1 mm	
Pole No.	Item No.					
Pin Spacing	5 mm	7.5 mm	11.5 mm	5 mm	7.5 mm	11.5 mm
	Side Entry			Top Entry		
1	2624-1101			2624-3101		
2	2624-1102	2624-1302	2624-1502	2624-3102	2624-3302	2624-3502
3	2624-1103	2624-1303	2624-1503	2624-3103	2624-3303	2624-3503
4	2624-1104	2624-1304	2624-1504	2624-3104	2624-3304	2624-3504
5	2624-1105	2624-1305	2624-1505	2624-3105	2624-3305	2624-3505
6	2624-1106	2624-1306	2624-1506	2624-3106	2624-3306	2624-3506
7	2624-1107	2624-1307	2624-1507	2624-3107	2624-3307	2624-3507
8	2624-1108	2624-1308	2624-1508	2624-3108	2624-3308	2624-3508
9	2624-1109	2624-1309	2624-1509	2624-3109	2624-3309	2624-3509
10	2624-1110	2624-1310	2624-1510	2624-3110	2624-3310	2624-3510
11	2624-1111	2624-1311	2624-1511	2624-3111	2624-3311	2624-3511
12	2624-1112	2624-1312	2624-1512	2624-3112	2624-3312	2624-3512



$$L = (\text{pole no.} - 1) \times \text{pin spacing} + 6.5 \text{ mm}$$

2604 SERIES

- PCB terminal block (12 AWG max.) with Push-in CAGE CLAMP® and lever termination
- 100% tool-free intuitive operation
- Push-in termination of solid, ferruled, and rigid-stranded conductors
- Test ports both parallel and perpendicular to conductor entry
- Connection is secured when lever is effortlessly lowered into closed position
- Lever locks into position (open/closed) with an audible click
- Side entry or top entry versions



Insert solid or ferruled conductors via push-in termination

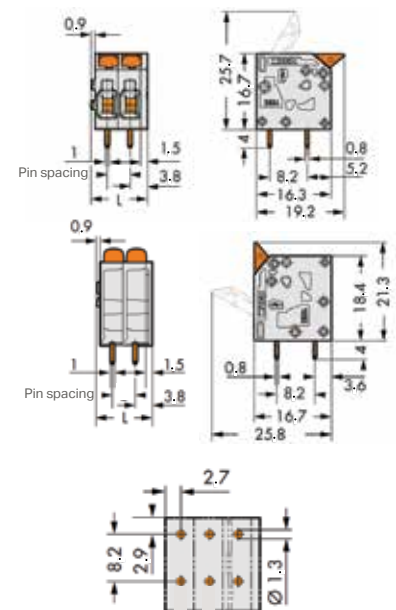


Insert fine-stranded conductors and remove all conductors via lever



Application example: PCB terminal block for power supply connections

2604 Series						
Pin Spacing	5 mm	7.5 mm	11.5 mm	Conductor Data		
Ratings per	UL 1059			Connection Technology	Push-in CAGE CLAMP® with lever	
Use Group B	20 A 300 V	20 A 300 V	20 A 600 V	Conductor Range	24 - 12 AWG	
Use Group C	-	20 A 300 V	20 A 600 V	Strip Length	9 - 11 mm	
Use Group D	20 A 300 V	5 A 600 V	-	Solder Pin Data		
Maximum Operating Temp.	120 °C			Solder Pin Length	4 mm	
Flammability Class per UL94	V0			Solder Pin Dimensions	0.8 x 1 mm	
Pole No.	Item No.					
Pin Spacing	5 mm	7.5 mm	11.5 mm	5 mm	7.5 mm	11.5 mm
	Side Entry			Top Entry		
1	2604-1101			2604-3101		
2	2604-1102	2604-1302	2604-1502	2604-3102	2604-3302	2604-3502
3	2604-1103	2604-1303	2604-1503	2604-3103	2604-3303	2604-3503
4	2604-1104	2604-1304	2604-1504	2604-3104	2604-3304	2604-3504
5	2604-1105	2604-1305	2604-1505	2604-3105	2604-3305	2604-3505
6	2604-1106	2604-1306	2604-1506	2604-3106	2604-3306	2604-3506
7	2604-1107	2604-1307	2604-1507	2604-3107	2604-3307	2604-3507
8	2604-1108	2604-1308	2604-1508	2604-3108	2604-3308	2604-3508
9	2604-1109	2604-1309	2604-1509	2604-3109	2604-3309	2604-3509
10	2604-1110	2604-1310	2604-1510	2604-3110	2604-3310	2604-3510
11	2604-1111	2604-1311	2604-1511	2604-3111	2604-3311	2604-3511
12	2604-1112	2604-1312	2604-1512	2604-3112	2604-3312	2604-3512



$$L = (\text{pole no.} - 1) \times \text{pin spacing} + 7.4 \text{ mm}$$

2626 SERIES

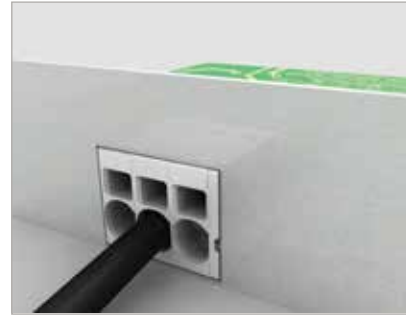
- PCB terminal block (8 AWG max.) with Push-in CAGE CLAMP® termination
- Push-in termination of solid, ferruled, and rigid-stranded conductors
- Test ports both parallel and perpendicular to conductor entry
- Side entry or top entry versions
- Ideal for panel feedthrough applications as operation is parallel to conductor entry



Insert solid or ferruled conductors via push-in termination

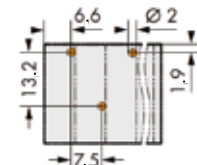
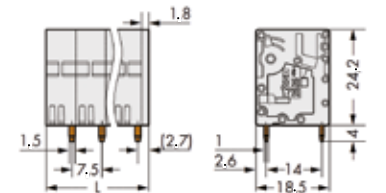
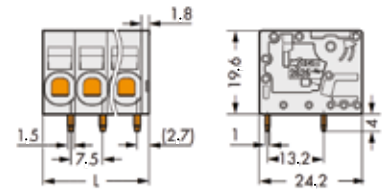


Insert fine-stranded conductors and remove all conductors via operating tool

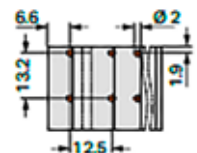


PCB terminal block for panel feedthrough connections

2626 Series				
Pin Spacing	7.5 mm Staggered Pinning	12.5 mm Double Pinning	Conductor Data	
Ratings per	UL 1059		Connection Technology	Push-in CAGE CLAMP®
Use Group B	35 A 600 V	35 A 600 V	Conductor Range	24 - 8 AWG
Use Group C	35 A 600 V	35 A 600 V	Strip Length	13 - 15 mm
Use Group E	Single pole variants with double pinning rated for 38 A / 1000 V		Solder Pin Data	
Maximum Operating Temp.	115 °C		Solder Pin Length	4 mm
Flammability Class per UL94	V0		Solder Pin Dimensions	1.5 x 1 mm
			Drilled Hole Diameter	2 ^{+0.1} mm
Pole No.	Item No.			
Pin Spacing	7.5 mm	12.5 mm	7.5 mm	12.5 mm
	Side Entry		Top Entry	
1	2626-1101		2626-3101	
2	2626-1102/0020-0000	2626-1352	2626-3102/0020-0000	2626-3352
3	2626-1103/0020-0000	2626-1353	2626-3103/0020-0000	2626-3353
4	2626-1104/0020-0000	2626-1354	2626-3104/0020-0000	2626-3354
5	2626-1105/0020-0000	2626-1355	2626-3105/0020-0000	2626-3355
6	2626-1106/0020-0000	2626-1356	2626-3106/0020-0000	2626-3356
7	2626-1107/0020-0000	2626-1357	2626-3107/0020-0000	2626-3357
8	2626-1108/0020-0000	2626-1358	2626-3108/0020-0000	2626-3358
9	2626-1109/0020-0000	2626-1359	2626-3109/0020-0000	2626-3359
10	2626-1110/0020-0000	2626-1360	2626-3110/0020-0000	2626-3360
11	2626-1111/0020-0000	2626-1361	2626-3111/0020-0000	2626-3361
12	2626-1112/0020-0000	2626-1362	2626-3112/0020-0000	2626-3362



$$L = (\text{pole no.} - 1) \times \text{pin spacing} + 9.3 \text{ mm}$$



$$L = (\text{pole no.} - 1) \times \text{pin spacing} + 9.3 \text{ mm}$$

2606 SERIES

- PCB terminal block (8 AWG max.) with Push-in CAGE CLAMP® and lever termination
- 100% tool-free intuitive operation
- Push-in termination of solid, ferruled, and rigid-stranded conductors
- Test ports both parallel and perpendicular to conductor entry
- Connection is secured when lever is effortlessly lowered into closed position
- Lever locks into position (open/closed) with an audible click
- Side entry or top entry versions



Insert solid or ferruled conductors via push-in termination

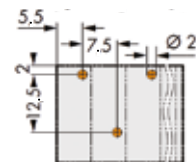
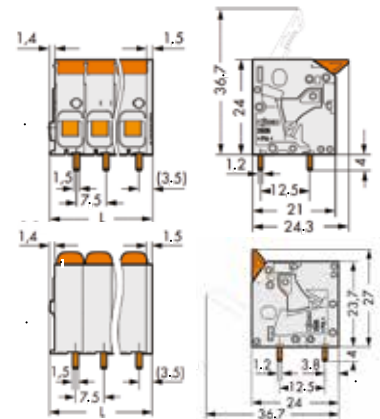


Insert fine-stranded conductors and remove all conductors via lever

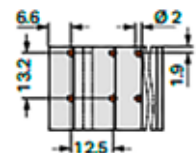


Application example: PCB terminal block for power supply connections

2606 Series				
Pin Spacing	7.5 mm Staggered Pinning	12.5 mm Double Pinning	Conductor Data	
Ratings per	UL 1059		Connection Technology	Push-in CAGE CLAMP® with Lever
Use Group B	31 A 600 V	42 A 600 V	Conductor Range	24 - 8 AWG
Use Group C	31 A 600 V	42 A 600 V	Strip Length	11 - 13 mm
Use Group E	Single pole variants with double pinning rated for 42 A / 1000 V		Solder Pin Data	
Maximum Operating Temp.	115 °C		Solder Pin Length	4 mm
Flammability Class per UL94	V0		Solder Pin Dimensions	1.5 x 1.2 mm
			Drilled Hole Diameter	2 ^{+0.1} mm
Pole No.	Item No.			
Pin Spacing	7.5 mm	12.5 mm	7.5 mm	12.5 mm
	Side Entry		Top Entry	
1	2606-1101		2606-3101	
2	2606-1102/0020-0000	2606-1352	2606-3102/0020-0000	2606-3352
3	2606-1103/0020-0000	2606-1353	2606-3103/0020-0000	2606-3353
4	2606-1104/0020-0000	2606-1354	2606-3104/0020-0000	2606-3354
5	2606-1105/0020-0000	2606-1355	2606-3105/0020-0000	2606-3355
6	2606-1106/0020-0000	2606-1356	2606-3106/0020-0000	2606-3356
7	2606-1107/0020-0000	2606-1357	2606-3107/0020-0000	2606-3357
8	2606-1108/0020-0000	2606-1358	2606-3108/0020-0000	2606-3358
9	2606-1109/0020-0000	2606-1359	2606-3109/0020-0000	2606-3359
10	2606-1110/0020-0000	2606-1360	2606-3110/0020-0000	2606-3360
11	2606-1111/0020-0000	2606-1361	2606-3111/0020-0000	2606-3361
12	2606-1112/0020-0000	2606-1362	2606-3112/0020-0000	2606-3362



$$L = (\text{pole no.} - 1) \times \text{pin spacing} + 10.35 \text{ mm}$$



$$L = (\text{pole no.} - 1) \times \text{pin spacing} + 9.3 \text{ mm}$$

2636 SERIES

- PCB terminal block (4 AWG max.) with Push-in CAGE CLAMP® termination
- Push-in termination of solid, ferruled, and rigid-stranded conductors
- Test ports both parallel and perpendicular to conductor entry
- Side entry or top entry versions
- Ideal for panel feedthrough applications as operation is parallel to conductor entry



Insert solid or ferruled conductors via push-in termination

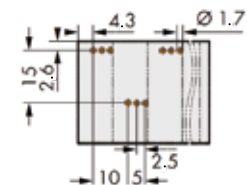
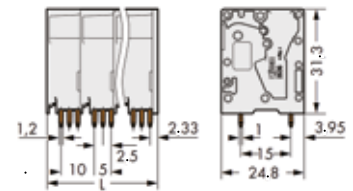
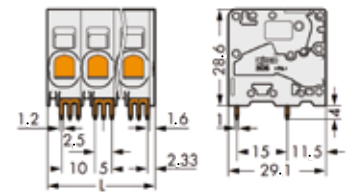


Insert fine-stranded conductors and remove all conductors via operating tool

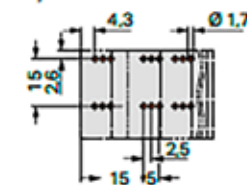


PCB terminal block for panel feedthrough connections

2636 Series				
Pin Spacing	10 mm Staggered Pinning	15 mm Double Pinning	Conductor Data	
Ratings per	UL 1059		Connection Technology	Push-in CAGE CLAMP®
Use Group B	66 A 600 V	85 A 300 V	Conductor Range	18 - 4 AWG
Use Group C	66 A 600 V	85 A 300 V	Strip Length	18 - 20 mm
Use Group E	Single pole variants with double pinning rated for 85 A / 1000 V		Solder Pin Data	
Maximum Operating Temp.	120 °C		Solder Pin Length	4 mm
Flammability Class per UL94	V0		Solder Pin Dimensions	1 x 1.2 mm
			Drilled Hole Diameter	1.7 ^{+0.1} mm
Pole No.	Item No.			
Pin Spacing	10 mm	15 mm	10 mm	15 mm
	Side Entry		Top Entry	
1	2636-1101		2636-3101	
2	2636-1102/0020-0000	2636-1352	2636-3102/0020-0000	2636-3352
3	2636-1103/0020-0000	2636-1353	2636-3103/0020-0000	2636-3353
4	2636-1104/0020-0000	2636-1354	2636-3104/0020-0000	2636-3354
5	2636-1105/0020-0000	2636-1355	2636-3105/0020-0000	2636-3355
6	2636-1106/0020-0000	2636-1356	2636-3106/0020-0000	2636-3356
7	2636-1107/0020-0000	2636-1357	2636-3107/0020-0000	2636-3357
8	2636-1108/0020-0000	2636-1358	2636-3108/0020-0000	2636-3358
9	2636-1109/0020-0000		2636-3109/0020-0000	
10	2636-1110/0020-0000		2636-3110/0020-0000	
11	2636-1111/0020-0000		2636-3111/0020-0000	
12	2636-1112/0020-0000		2636-3112/0020-0000	



$$L = (\text{pole no.} - 1) \times \text{pin spacing} + 11.6 \text{ mm}$$



$$L = (\text{pole no.} - 1) \times \text{pin spacing} + 11.6 \text{ mm}$$

2616 SERIES

- PCB terminal block (4 AWG max.) with Push-in CAGE CLAMP® and lever termination
- 100% tool-free intuitive operation
- Push-in termination of solid, ferruled, and rigid-stranded conductors
- Test ports both parallel and perpendicular to conductor entry
- Connection is secured when lever is effortlessly lowered into closed position
- Lever locks into position (open/closed) with an audible click
- Side entry or top entry versions



Insert solid or ferruled conductors via push-in termination

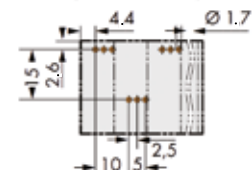
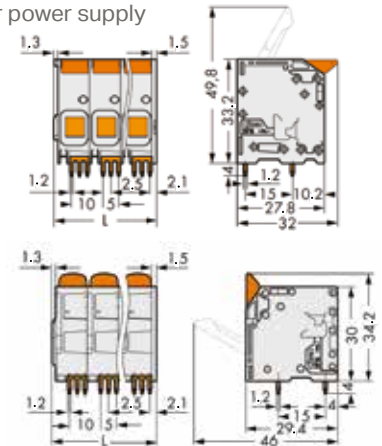


Insert fine-stranded conductors and remove all conductors via lever

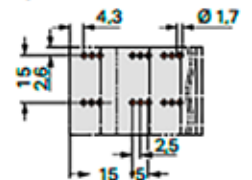


Application example: PCB terminal block for power supply connections

2616 Series				
Pin Spacing	10 mm Staggered Pinning	15 mm Double Pinning	Conductor Data	
Ratings per	UL 1059		Connection Technology	Push-in CAGE CLAMP® with lever
Use Group B	66 A 600 V	78 A 300 V	Conductor Range	18 - 4 AWG
Use Group C	66 A 600 V	78 A 300 V	Strip Length	18 - 20 mm
Use Group E	Single pole variants with double pinning rated for 85 A / 1000 V		Solder Pin Data	
Maximum Operating Temp.	120 °C		Solder Pin Length	4 mm
Flammability Class per UL94	V0		Solder Pin Dimensions	1.2 x 1.2 mm
			Drilled Hole Diameter	1.7 ^{+0.1} mm
Pole No.	Item No.			
Pin Spacing	10 mm	15 mm	10 mm	15 mm
	Side Entry		Top Entry	
1	2616-1101		2616-3101	
2	2616-1102/0020-0000	2616-1352	2616-3102/0020-0000	2616-3352
3	2616-1103/0020-0000	2616-1353	2616-3103/0020-0000	2616-3353
4	2616-1104/0020-0000	2616-1354	2616-3104/0020-0000	2616-3354
5	2616-1105/0020-0000	2616-1355	2616-3105/0020-0000	2616-3355
6	2616-1106/0020-0000	2616-1356	2616-3106/0020-0000	2616-3356
7	2616-1107/0020-0000	2616-1357	2616-3107/0020-0000	2616-3357
8	2616-1108/0020-0000	2616-1358	2616-3108/0020-0000	2616-3358
9	2616-1109/0020-0000		2616-3109/0020-0000	
10	2616-1110/0020-0000		2616-3110/0020-0000	
11	2616-1111/0020-0000		2616-3111/0020-0000	
12	2616-1112/0020-0000		2616-3112/0000-0020	



$$L = (\text{pole no.} - 1) \times \text{pin spacing} + 12.8 \text{ mm}$$



$$L = (\text{pole no.} - 1) \times \text{pin spacing} + 12.8 \text{ mm}$$

LEVERAGE CONVENIENCE

Pluggable PCB Connectors with Levers – Connect Conductors up to 4 AWG (25 mm²)

For wiring assemblies in the field, highly accessible and simple-to-operate connection points are essential. With the *MCS MAXI 6* and *MCS MAXI 16*, we have leveraged our expertise to offer the world's first pluggable connectors with levers for intuitive, tool-free usage. With this feature, connectors can be easily and quickly wired by hand. Furthermore, simply lowering the lever always ensures a reliable contact.

Both wire-to-wire and wire-to-board versions of pluggable PCB connectors are available and designed for a maximum conductor size of 8 or 4 AWG (10 or 25 mm²). Connection with Push-in CAGE CLAMP® is suitable for

all conductor types and enables solid and fine-stranded conductors with ferrules to be connected by simply pushing them into the unit.

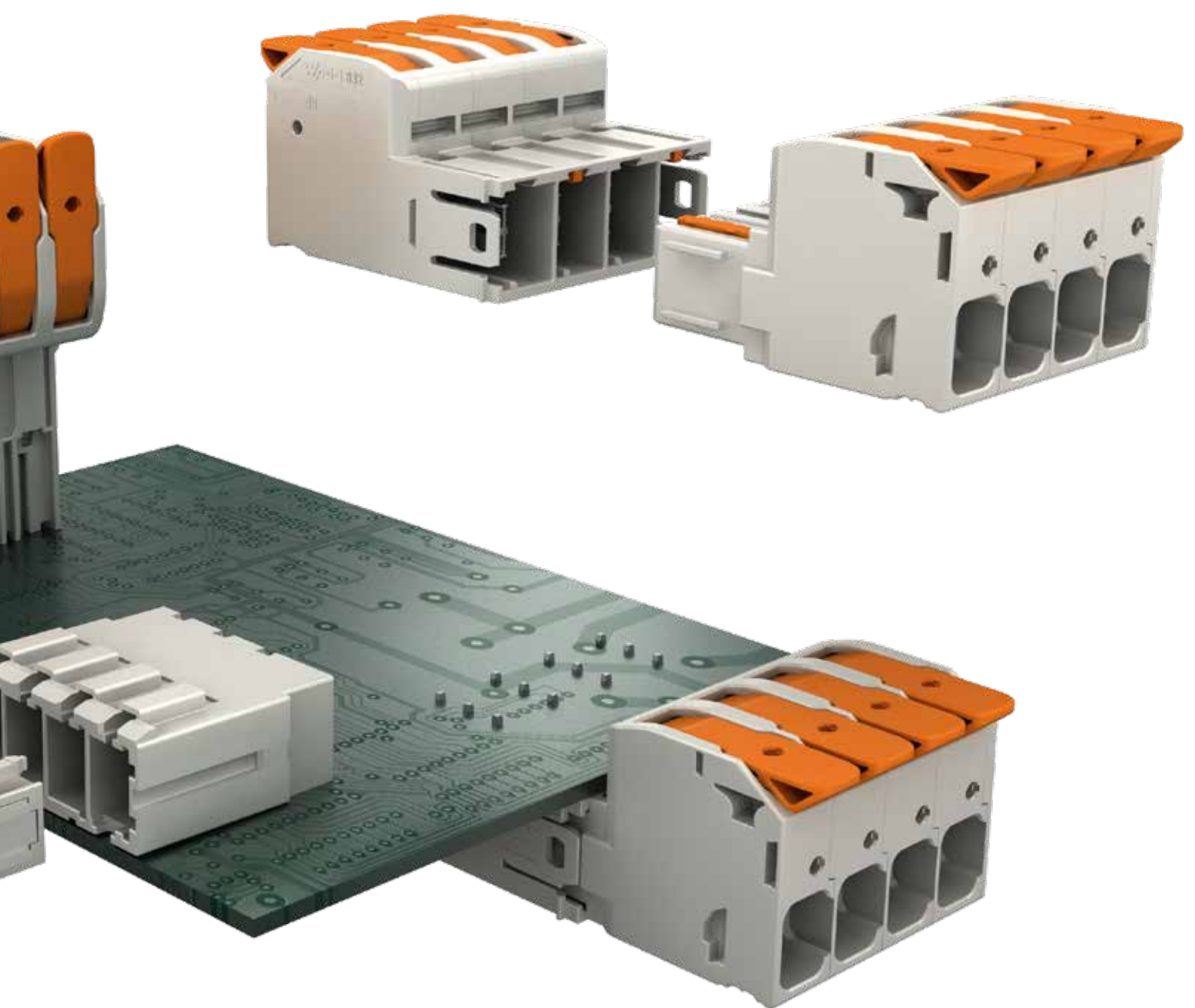
Flexible Coding – Ready to Adapt

The coding of the new *MCS MAXI 16* connectors brings additional benefits: they are coded internally, simplifying individual coding changes – even when the connector is already installed in the enclosure. Complicated adjustments to the enclosure cutout are no longer required. Another unique feature is the ability to quickly and easily recode when plugged in. To keep installation

simple and minimize the number of assemblies, both male headers and female connectors feature the same symmetrically formed coding fingers.

MCS MAXI 6 connectors are also easy to code. Depending on the version, separate coding pins are available or the coding pins can be broken off directly from the female connector and inserted into the corresponding male header.





100% Safety

As with all MCS products, these new pluggable connectors also provide 100% protection against mismatching to ensure maximum safety for field wiring. The integrated protective contact caps within the interface of the MCS MAXI 16 male headers and connectors ensure additional touch-proof safety when unplugged.

Yet another highlight: An optional interlock enables fast, reliable connection while preventing accidental disconnection.

Advantages:

- Easy wiring by hand via lever actuation
- Tool-free, intuitive lever operation
- Product range: 24 ... 4 AWG
- Push-in CAGE CLAMP® termination
- Wider conductor range and higher current carrying capacity
- 100% protected against mismatching
- Coding and locking options available

Learn more at:

www.wago.us/powerelectronics

MCS MAXI 6: 831 SERIES

Female Connectors with Levers

- Female connectors with levers and Push-in CAGE CLAMP®
- Available with and without locking
- Push-in termination of solid, ferruled, and rigid-stranded conductors
- Test ports both parallel and perpendicular to conductor entry
- Secure connection via simple, effortless lever actuation
- Compatible with existing 831 Series accessories and mates



Lift lever to open spring and insert the conductor.

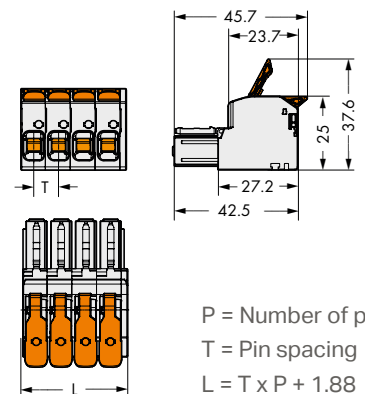


Close lever to terminate the conductor.



Also available with Push-in CAGE CLAMP® without levers. See item 831-310x.

831-110x Series		
Pin Spacing	7.62 mm	Conductor Data
		Connection Technology
Ratings Per	UL 1059	Conductor Range
		Strip Length
When mated with:	831-12xx Male Connector	831-36xx Male PCB Header
Use Group B	35 A / 600 V	35 A / 300 V
Use Group C	35 A / 600 V	35 A / 300 V
Use Group D	-	5 A / 600 V
Maximum Operating Temp.	115 °C	
Flammability Class per UL94	V0	
Pole No.	Item No.	
	Female connector; light gray with orange levers	Female connector; light gray with orange interlocking latches and orange levers
2	831-1102	831-1102/037-000
3	831-1103	831-1103/037-000
4	831-1104	831-1104/037-000
5	831-1105	831-1105/037-000
6	831-1106	831-1106/037-000
7	831-1107	831-1107/037-000
8	831-1108	831-1108/037-000
9	831-1109	831-1109/037-000



MCS MAXI 6: 831 SERIES

Male Connectors with Levers

- Male connectors with levers and Push-in CAGE CLAMP®
- For wire-to-wire applications
- Push-in termination of solid, ferruled, and rigid-stranded conductors
- Test ports both parallel and perpendicular to conductor entry
- Secure connection via simple, effortless lever actuation
- Compatible with existing 831 Series accessories and mates



Lift lever to open spring and insert the conductor.

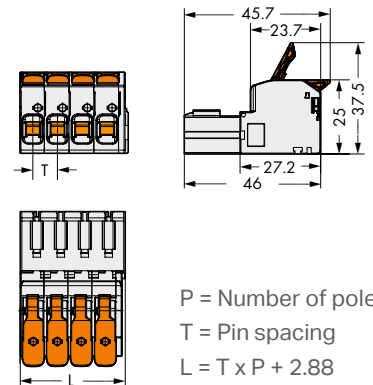


Close lever to terminate the conductor.



Also available with Push-in CAGE CLAMP® without levers. See item 831-320x.

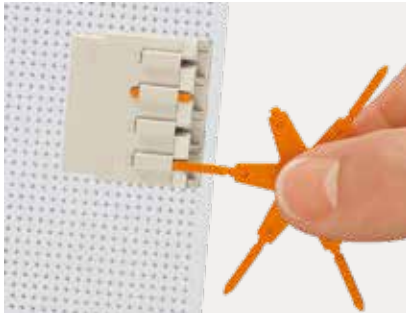
831-120x Series			
Pin spacing	7.62 mm	Conductor Data	
Ratings per	UL 1059	Connection Technology	Push-in CAGE CLAMP® with lever
Use Group B	35 A / 600 V	Conductor Range	20 - 8 AWG
Use Group C	35 A / 600 V	Strip Length	11 - 13 mm
Maximum Operating Temp.	115 °C		
Flammability Class per UL94	V0		
Pole No.	Item No.		
	Male connector; light gray with orange levers		
2	831-1202		
3	831-1203		
4	831-1204		
5	831-1205		
6	831-1206		
7	831-1207		
8	831-1208		
9	831-1209		



MCS MAXI 6: 831 SERIES

THT Male Headers

- Soldered male headers may be mounted horizontally or vertically via straight or angled solder pins
- Three solder pins per pole provide high electrical and mechanical stability
- 100% protected against mismatching
- Coding options available



Easy coding via coding star

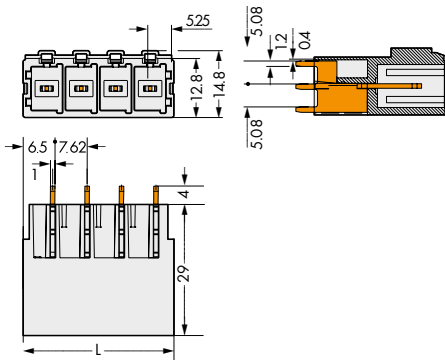


Coding star (Item No. 831-500)

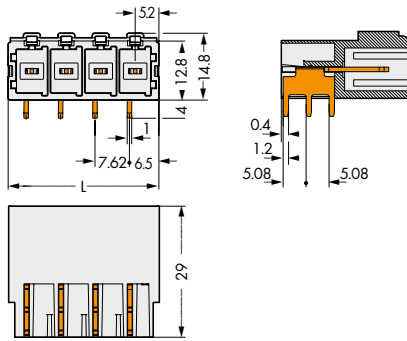
831-36xx Series			
Pin Spacing	7.62 mm	Solder Pin Data	
Ratings Per	UL 1059	Solder Pin Length	4 mm
Use Group B	35 A / 300 V	Solder Pin Dimensions	1 x 1.2 mm
Use Group C	35 A / 300 V	Drilled Hole Diameter with Tolerance	1.7 ^{+0.1} mm
Use Group D	5 A / 600 V		
Maximum Operating Temp.	115 °C		
Flammability Class per UL 94	V0		



Pole No.	Item No.	
	THT male header; with straight solder pins; light gray	THT male header; with solder pins angled downwards; light gray
2	831-3602	831-3622
3	831-3603	831-3623
4	831-3604	831-3624
5	831-3605	831-3625
6	831-3606	831-3626
7	831-3607	831-3627
8	831-3608	831-3628
9	831-3609	831-3629



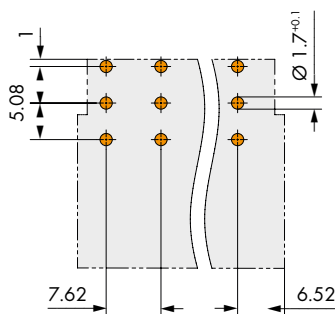
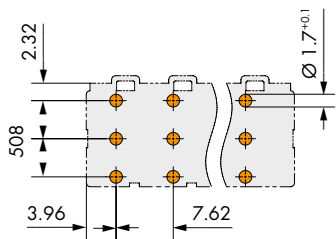
$L = (\text{pole no.} - 1) \times \text{pin spacing} + 10.5 \text{ mm}$



$L = (\text{pole no.} - 1) \times \text{pin spacing} + 10.5 \text{ mm}$

Footprint (top view)

Footprint (top view)



MCS MAXI 16: 832 SERIES

Female Connectors with Levers

- Female connectors with levers and Push-in CAGE CLAMP®
- Available with and without locking
- Push-in termination of solid, ferruled, and rigid-stranded conductors
- Test ports both parallel and perpendicular to conductor entry
- Secure connection via simple, effortless lever actuation



Lift lever to open spring and insert the conductor.

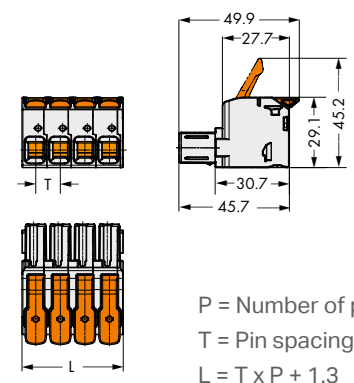


Close lever to terminate the conductor.



Side interlocking latches eliminate accidental disconnect.

832-110x Series										
Pin Spacing	10.16 mm	<table border="1"> <tr> <th colspan="2">Conductor Data</th> </tr> <tr> <td>Connection Technology</td> <td>Push-in CAGE CLAMP® with lever</td> </tr> <tr> <td>Conductor Range</td> <td>18 - 4 AWG</td> </tr> <tr> <td>Strip Length</td> <td>18 - 20 mm</td> </tr> </table>	Conductor Data		Connection Technology	Push-in CAGE CLAMP® with lever	Conductor Range	18 - 4 AWG	Strip Length	18 - 20 mm
Conductor Data										
Connection Technology	Push-in CAGE CLAMP® with lever									
Conductor Range	18 - 4 AWG									
Strip Length	18 - 20 mm									
Ratings Per	UL 1059									
When mated with:	832-120x Male Connector	832-36xx Male PCB Header								
Use Group B	66 A / 600 V	66 A / 300 V								
Use Group C	66 A / 600 V	66 A / 300 V								
Use Group D	-	5 A / 600 V								
Maximum Operating Temp.	130 °C									
Flammability Class per UL94	V0									
Pole No.	Item No.									
	Female connector; light gray with orange levers	Female connector; light gray with orange interlocking latches and orange levers								
2	832-1102	832-1102/037-000								
3	832-1103	832-1103/037-000								
4	832-1104	832-1104/037-000								
5	832-1105	832-1105/037-000								
6	832-1106	832-1106/037-000								



MCS MAXI 16: 832 SERIES

Male Connectors with Levers

- Male connectors with levers and Push-in CAGE CLAMP®
- For wire-to-wire applications
- Push-in termination of solid, ferruled, and rigid-stranded conductors
- Test ports both parallel and perpendicular to conductor entry
- Secure connection via simple, effortless lever actuation



Lift lever to open spring and insert the conductor.

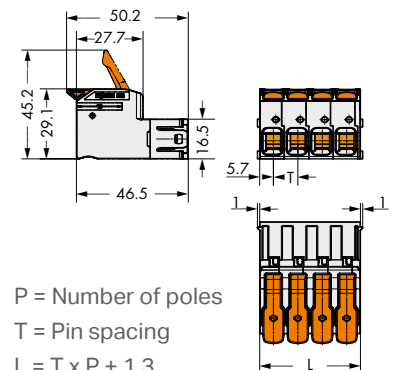


Close lever to terminate the conductor.



Wire-to-wire connections with coding prevents accidental mis-mating.

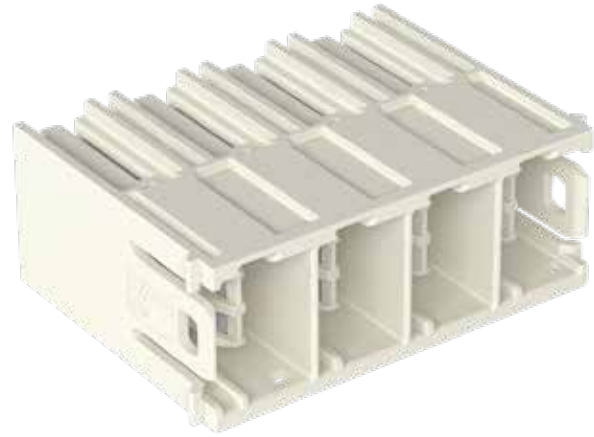
832-120x Series			
Pin Spacing	10.16 mm	Conductor Data	
Ratings Per	UL 1059	Connection Technology	Push-in CAGE CLAMP® with lever
Use Group B	66 A / 600 V	Conductor Range	18 - 4 AWG
		Strip Length	18 - 20 mm
Use Group C	66 A / 600 V		
Maximum Operating Temp.	130 °C		
Flammability Class per UL94	V0		
Pole No.	Item No.		
	Male connector; light gray with orange levers		
2	832-1202		
3	832-1203		
4	832-1204		
5	832-1205		
6	832-1206		



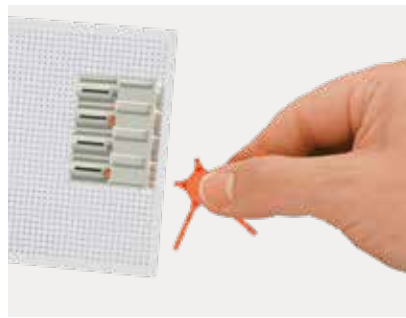
MCS MAXI 16: 832 SERIES

THT Male Headers

- Soldered male headers may be mounted horizontally or vertically via straight or angled solder pins
- Three solder pins per pole provide high electrical and mechanical stability
- 100% protected against mismatching
- Coding options available



MCS MAXI 16 is ideal for enclosure cutouts



Easy coding thanks to symmetrical coding keys in both male and female connectors

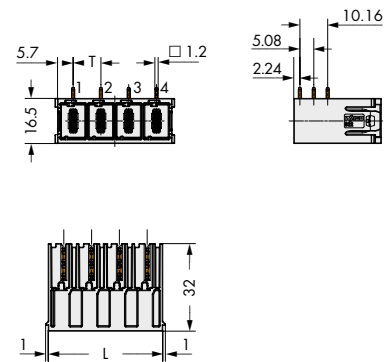
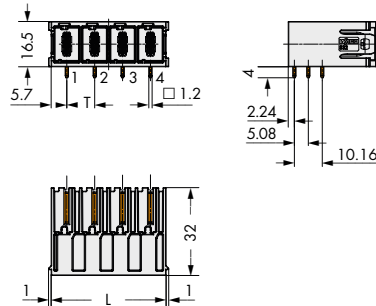
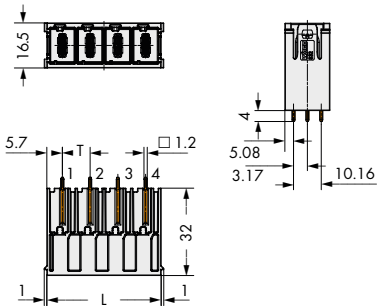
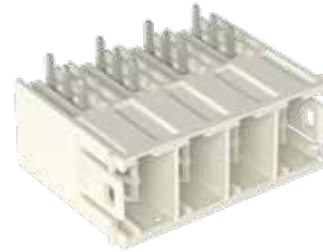


Coding star (Item No. 832-500)

832-36xx Series			
Pin Spacing	10.16 mm	Solder Pin Data	
Ratings Per	UL 1059	Solder Pin Length	4 mm
Use Group B	66 A / 300 V	Solder Pin Dimensions	1.2 x 1.2 mm
Use Group C	66 A / 300 V	Drilled Hole Diameter with Tolerance	1.7 ^{+0.1} mm
Use Group D	5 A / 600 V		
Maximum Operating Temp.	130 °C		
Flammability Class per UL94	V0		



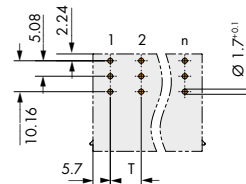
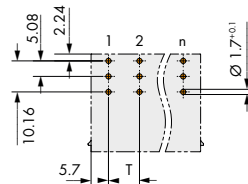
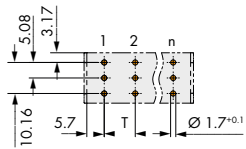
Pole No.	Item No.	Item No.	Item No.
	THT male header; with straight solder pins; light gray	THT male header; with solder pins angled downwards; light gray	THT male header; with solder pins angled upwards; light gray
2	832-3602	832-3622	832-3642
3	832-3603	832-3623	832-3643
4	832-3604	832-3624	832-3644
5	832-3605	832-3625	832-3645
6	832-3606	832-3626	832-3646



Footprint (top view)

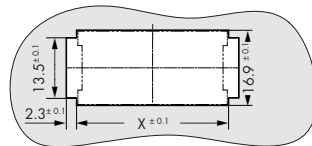
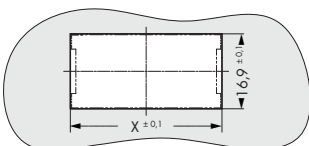
Footprint (top view)

Footprint (top view)



Cutouts for male headers with solder pins

Cutouts for male headers with solder pins (with interlocking latches)



Pole No.	X
2	24.1
3	34.2
4	44.4
5	54.6
6	64.7



SYSTEM HIGHLIGHTS



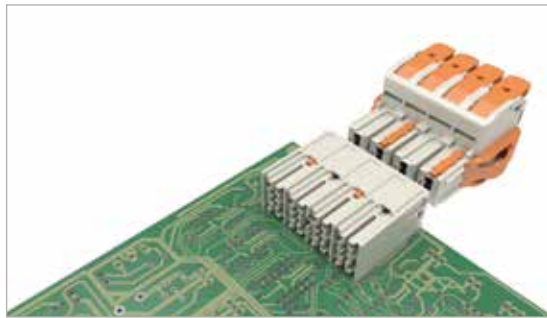
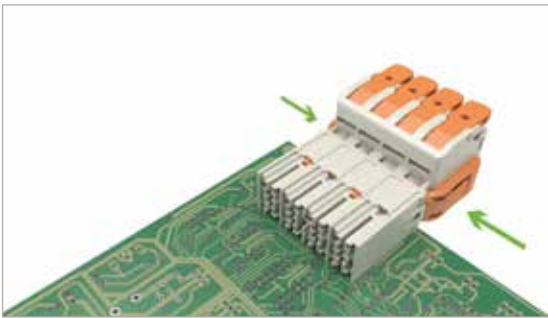
Lever Actuation

Easily wired by hand –
no tools required



Interlocking Latches

Easy and secure plugging
with automatic locking;
optional side interlocking
latches prevent accidental
disconnection.



Easy and intuitive disconnection via innovative interlocking latches



Coding

Easy coding thanks to symmetrical coding keys in both male and female connectors



Recoding even when plugged in



WAGO Corporation
N120 W19129 Freistadt Road
Germantown, Wisconsin 53022
Telephone: 800 / DIN-Rail (346-7245)
Fax: 262 / 255-3232
info.us@wago.com
www.wago.us

WAGO Canada Inc.
4145 North Service Rd., Unit 224
Burlington, ON
L7L 6A3
Telephone: 888 / WAGO 221 (924-6221)
info.ca@wago.com
www.wago.ca

WAGO SA DE CV
Carretera estatal 431 Km. 2+200. Lote 99 6
Parque Industrial Tecnológico Innovación Querétaro
El Marques, Qro. 76246
Lada sin Costo: 01 800 288 WAGO (288-9246)
Telefono: 422 / 221-5946
info.mx@wago.com
www.wago.mx

WAGO is a registered trademark of WAGO Verwaltungsgesellschaft mbH.

"Copyright – WAGO Kontakttechnik GmbH & Co. KG – all rights reserved. The content and structure of the WAGO Websites, catalogs, videos, and other WAGO media are subject to copyright. The dissemination or changing of the content of these pages and videos is not permitted. Furthermore, the content may neither be copied nor made available to third parties for commercial purposes. Also subject to copyright are the images and videos that were made available to WAGO Kontakttechnik GmbH & Co. KG by third parties."