



2601 Series

New Product Presentation



AGENDA

1. Product Features
2. Product Portfolio
3. Target Market and Applications
4. Technical Data
5. Competitive Analysis



Product Features



Product features

- Particularly compact solution with little space requirement on the PCB.
- Thanks to the Push-in CAGE CLAMP®, single-wire and fine-wire conductors can be inserted directly with ferrules from 26-14 AWG.
- Lever actuation at a 90° angle to the conductor connection direction.
- Horizontal or vertical connection to the PCB is possible.
- Wiring is easy worldwide and requires no tools thanks to lever technology.
- Optionally available with double pinning in line as standard or alternating pinning on request, with a pin spacing of 3.5 mm.

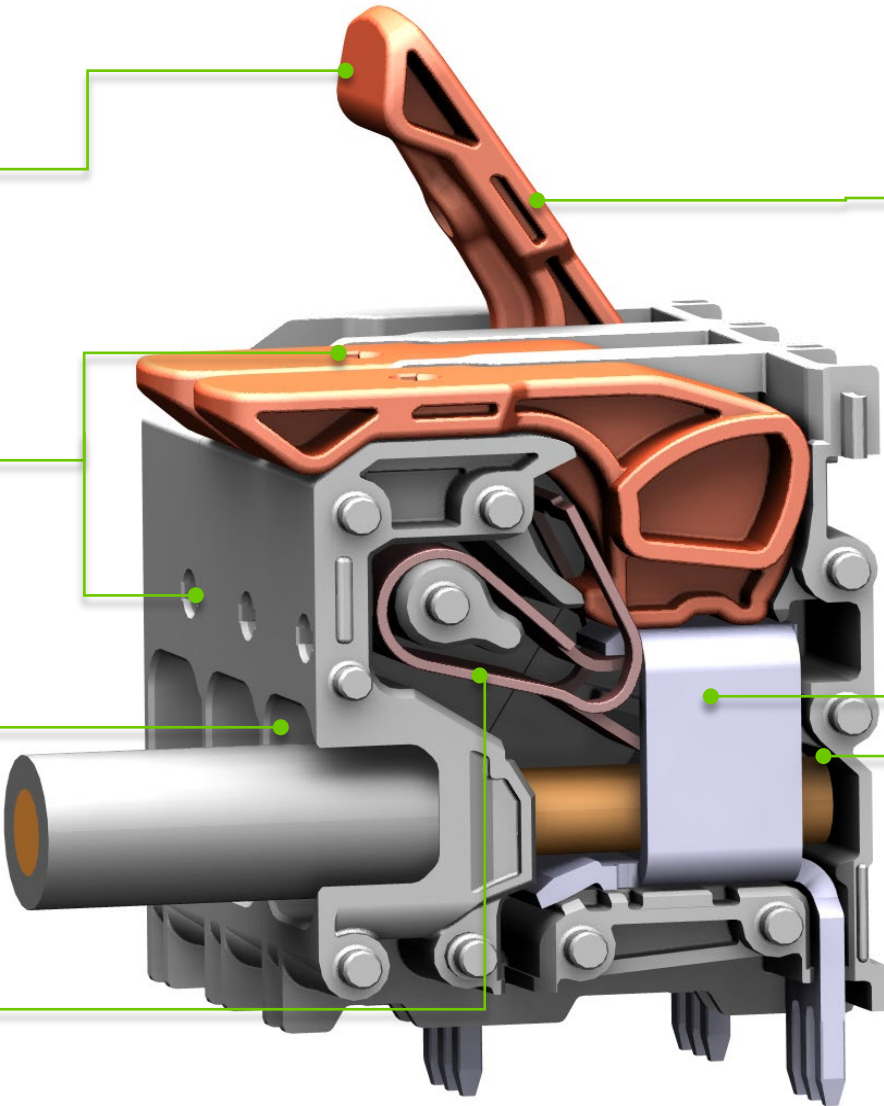
Product features

Lever:
intuitive, easy to handle
and tool-free

Test port:
Parallel and
perpendicular to
conductor entry

Conductor entry:
enlarged conductor cross
section area including twin
ferrules

Push-in CAGE CLAMP®:
Spring connection with
push-in



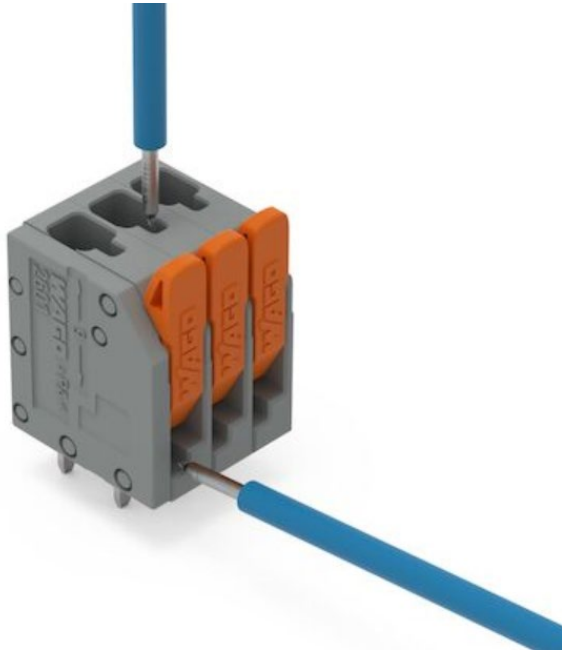
Easy closing of the lever:
The pulling force of the
spring ensures a safe
connection

Conductor chamber:
Conductor is securely
clamped

Canted edge: safe
connection even during
wire motion

Handling

Testing with a test pin at 0° and 90° angles to the conductor entry opening



Push-in: direct insertion of solid and flexible conductors with ferrules without using the lever.



Insertion and release of flexible conductors by operating the lever.



Loosen all conductors by operating the lever.

Product Portfolio



PCB terminal block ▶ 2601 Series Push-in CAGE CLAMP® ▶ Actuation type: Lever ▶ 1.5 mm² ▶ Pin spacing: 3.5 mm

Conductor connection direction to PCB: 0°



Conductor connection direction to PCB: 90°



Pole No.	Item No.	PU
2	2601-1102	120
3	2601-1103	70
4	2601-1104	50
5	2601-1105	40
6	2601-1106	30
7	2601-1107	20
8	2601-1108	20
9	2601-1109	20
10	2601-1110	10
11	2601-1111	10
12	2601-1112	10

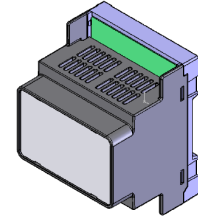
Pole No.	Item No.	PU
2	2601-3102	220
3	2601-3103	160
4	2601-3104	120
5	2601-3105	100
6	2601-3106	80
7	2601-3107	70
8	2601-3108	60
9	2601-3109	60
10	2601-3110	50
11	2601-3111	50
12	2601-3112	40

Target Market and Applications



Target Markets and Applications

- Power Supplies
- Heat Systems
- Refrigerators
- Sensors
- PLC Controls
- Interface Modules
- Operating Devices
- Machines in Plants
- Device Manufacturer/Device Connection
- Security Technology
- Smart Home
- Industry Electronics
- Control Boards



Technical Data

4

Technical Data

Conductor cross-sections:

- Solid
- Fine-stranded

Rated voltage:

Rated surge voltage:

Rated current:

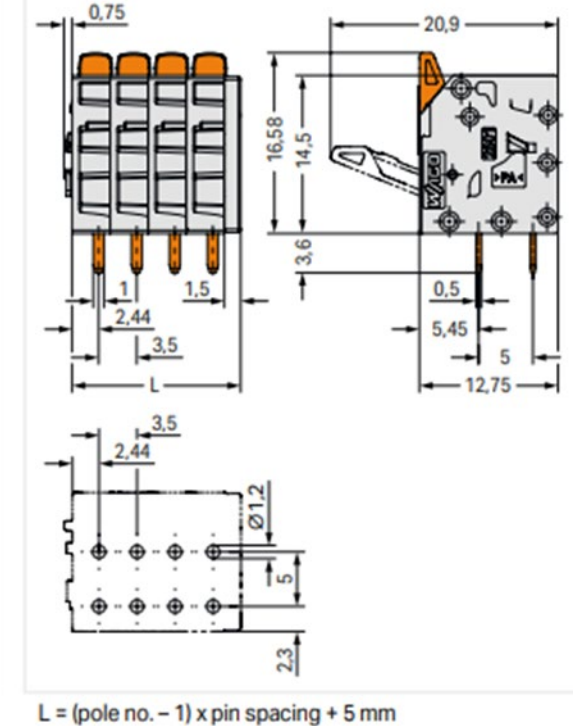
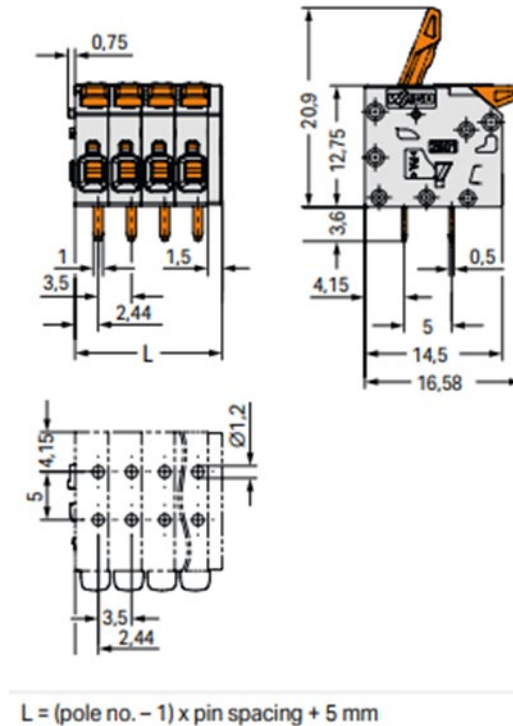
26 – 14 AWG

24 – 14 AWG

160 V

2.5 kV

17.5 A



Competitive Analysis



Competitive Analysis

- There is no direct competitor solution with lever operation!

WAGO

The logo consists of the word "WAGO" in a bold, green, sans-serif font. A thick, green double-headed arrow is superimposed over the letters "W" and "A", pointing diagonally upwards and downwards.