



Introducing
IP67 **SEAL-D**® D-Sub Connectors

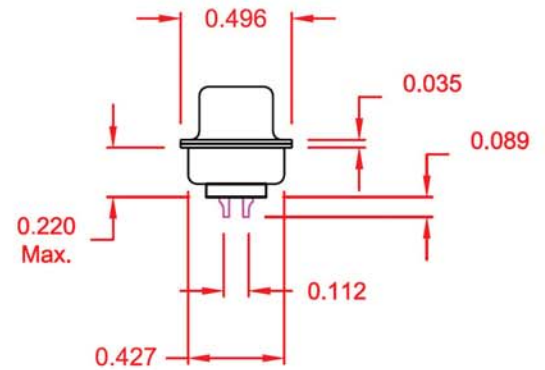
NORCOMP



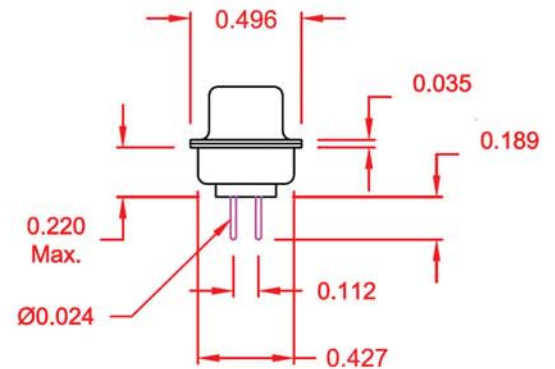
PRODUCT DIMENSIONS - Standard Density

Part Number	Termination	Description
772-E09-103R001	Solder Cup	Std. D-Sub, 9 Position, Male
772-E09-203R001	Solder Cup	Std. D-Sub, 9 Position, Female
772-E15-103R001	Solder Cup	Std. D-Sub, 15 Position, Male
772-E15-203R001	Solder Cup	Std. D-Sub, 15 Position, Female
772-E25-103R001	Solder Cup	Std. D-Sub, 25 Position, Male
772-E25-203R001	Solder Cup	Std. D-Sub, 25 Position, Female
772-E09-113R001	Vertical PCB	Std. D-Sub, 9 Position, Male
772-E09-213R001	Vertical PCB	Std. D-Sub, 9 Position, Female
772-E15-113R001	Vertical PCB	Std. D-Sub, 15 Position, Male
772-E15-213R001	Vertical PCB	Std. D-Sub, 15 Position, Female
772-E25-113R001	Vertical PCB	Std. D-Sub, 25 Position, Male
772-E25-213R001	Vertical PCB	Std. D-Sub, 25 Position, Female
773-E09-113R001	Right Angle PCB	Std. D-Sub, 9 Position, Male, 0.283" Foot Print
773-E15-113R001	Right Angle PCB	Std. D-Sub, 15 Position, Male, 0.283" Foot Print
773-E25-113R001	Right Angle PCB	Std. D-Sub, 25 Position, Male, 0.283" Foot Print
774-E09-113R001	Right Angle PCB	Std. D-Sub, 9 Position, Male, 0.370" Foot Print
774-E15-113R001	Right Angle PCB	Std. D-Sub, 15 Position, Male, 0.370" Foot Print
774-E25-113R001	Right Angle PCB	Std. D-Sub, 25 Position, Male, 0.370" Foot Print

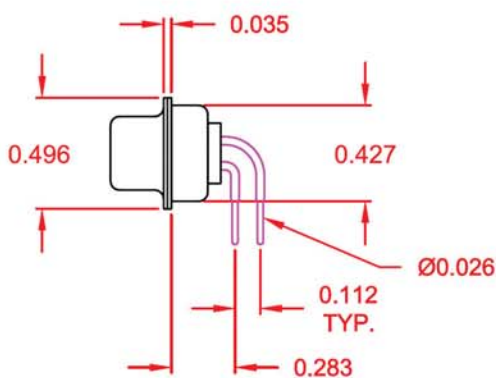
772-E Series (Solder Cup)



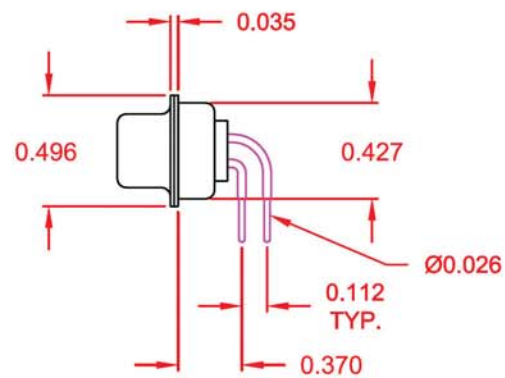
772-E Series (Vertical PCB)



773-E Series (Right Angle PCB)



774-E Series (Right Angle PCB)

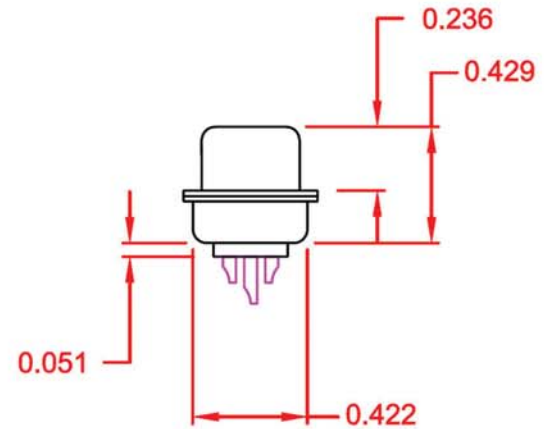




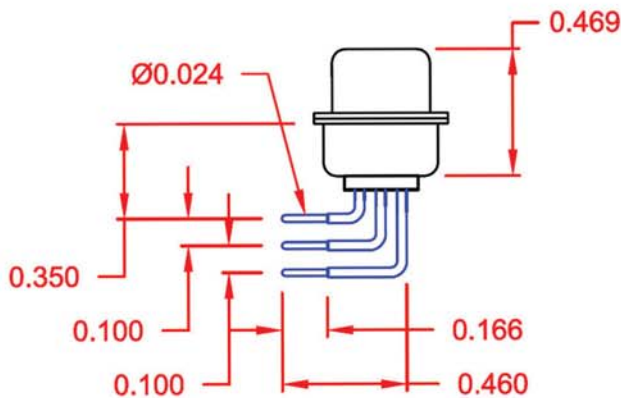
PRODUCT DIMENSIONS - High Density

Part Number	Termination	Description
780-M15-103L001	Solder Cup	HD D-Sub, 15 Position, Male
780-M15-203L001	Solder Cup	HD D-Sub, 15 Position, Female
780-M26-103L001	Solder Cup	HD D-Sub, 26 Position, Male
780-M26-203L001	Solder Cup	HD D-Sub, 26 Position, Female
780-M44-103L001	Solder Cup	HD D-Sub, 44 Position, Male
780-M44-203L001	Solder Cup	HD D-Sub, 44 Position, Female
780-M15-113R001	Vertical PCB	HD D-Sub, 15 Position, Male
780-M15-213R001	Vertical PCB	HD D-Sub, 15 Position, Female
780-M26-113R001	Vertical PCB	HD D-Sub, 26 Position, Male
780-M26-213R001	Vertical PCB	HD D-Sub, 26 Position, Female
780-M44-113R001	Vertical PCB	HD D-Sub, 44 Position, Male
780-M44-213R001	Vertical PCB	HD D-Sub, 44 Position, Female
781-M15-113R001	Right Angle PCB	HD D-Sub, 15 Position, Male, 0.350° Foot Print
781-M26-113R001	Right Angle PCB	HD D-Sub, 26 Position, Male, 0.350° Foot Print
781-M44-113R001	Right Angle PCB	HD D-Sub, 44 Position, Male, 0.350° Foot Print
781-M15-113R141	Right Angle PCB	HD D-Sub, 15 Position, Male, 0.350° Foot Print, Bracket
781-M26-113R141	Right Angle PCB	HD D-Sub, 26 Position, Male, 0.350° Foot Print, Bracket
781-M44-113R141	Right Angle PCB	HD D-Sub, 44 Position, Male, 0.350° Foot Print, Bracket

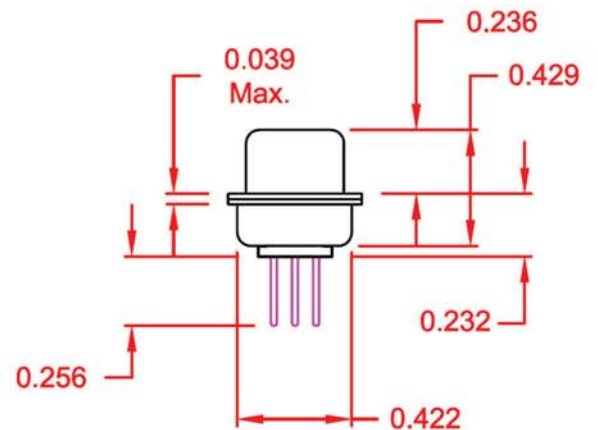
780-M Series (Solder Cup)



781-M Series (Right Angle PCB)



780-M Series (Vertical PCB)



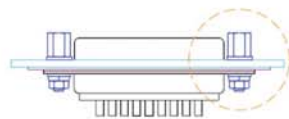
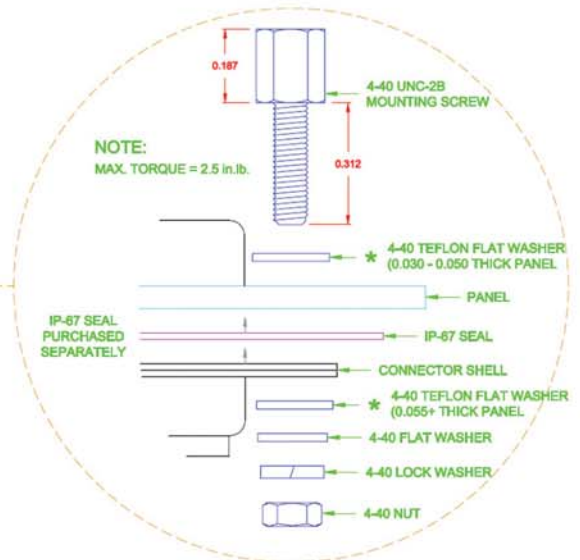


PRODUCT DIMENSIONS - Hardware

Part Number	Type	Description
SF6709	Seal	Removable Seal for Std 9 HD15 Position D-Sub
SF6715	Seal	Removable Seal for Std 15 HD26 Position D-Sub
SF6725	Seal	Removable Seal for Std 25 HD44 Position D-Sub
SFP6709	Seal	Permanent Seal for Std 9 HD15 Position D-Sub
SFP6715	Seal	Permanent Seal for Std 15 HD26 Position D-Sub
SFP6725	Seal	Permanent Seal for Std 25 HD44 Position D-Sub
SFP67SS09	Seal	Single Sided Seal for Std 9 HD15 Position D-Sub
SFP67SS15	Seal	Single Sided Seal for Std 15 HD26 Position D-Sub
SFP67SS25	Seal	Single Sided Seal for Std 25 HD44 Position D-Sub
160-067-004R034	Kit	Panel Mounting Kit - See Drawing For Details
160-067-010R033	Kit	Panel Mounting Kit - See Drawing For Details
160-067-020R033	Kit	Panel Mounting Kit - See Drawing For Details
160-067-010RB33	Bulk	Panel Mounting Kit - See Drawing For Details
160-067-020RB33	Bulk	Panel Mounting Kit - See Drawing For Details

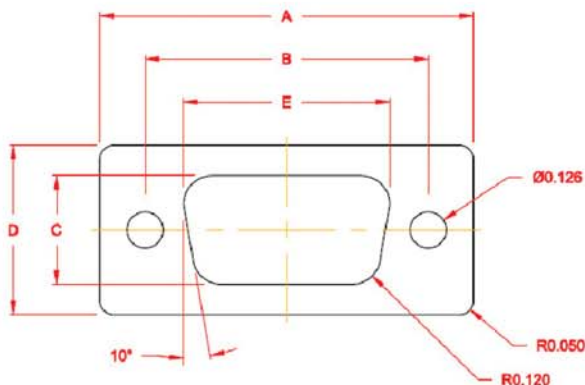


Panel Mounting Kit



* 4-40 Teflon flat washer location dependent on panel thickness

Removable / Permanent Seal



SHELL SIZE	DIMENSIONS				
	A	B	C	D	E
9	1.299	0.984	0.378	0.591	0.717
	32.99	24.99	9.60	15.01	18.21
15	1.614	1.311	0.378	0.591	1.039
	41.00	33.30	9.60	15.01	26.39
25	2.165	1.850	0.378	0.591	1.583
	54.99	46.99	9.60	15.01	40.21
37	2.835	2.500	0.378	0.591	2.228
	72.01	63.50	9.60	15.01	56.59
50	2.758	2.406	0.488	0.709	2.134
	70.05	61.11	12.40	18.01	54.20



CONNECTOR SYSTEM ACCESSORIES

Part Number	Type	Description
967-009-010R011	Backshell	Std 9 HD15 Position IP67 Backshell
967-015-010R011	Backshell	Std 15 HD26 Position IP67 Backshell
967-025-010R011	Backshell	Std 25 HD44 Position IP67 Backshell
967-009-CAP	Sealing Cap	Std 9 HD15 Sealing Cap with Lanyard
967-015-CAP	Sealing Cap	Std 15 HD26 Sealing Cap with Lanyard
967-025-CAP	Sealing Cap	Std 25 HD44 Sealing Cap with Lanyard
OVERMOLD	Custom	Contact NorComp for more information



IP67 BACKSHELL ASSEMBLY



IP67 SEALING CAP



IP67 OVERMOLD CABLE ASSEMBLY

**Contact Factory For Information*

IP67 SEAL-D® D-Sub Connectors



KEY FEATURES

- Drop in Replacement
- Meets IP67 Requirements
- Available in 3 termination types
- Available in Standard & High Density

DESCRIPTIONS

NorComp has developed a new line of IP67 **SEAL-D®** D-Subs. These connectors utilize a proprietary sealing technology which maintains the **same physical size and footprint as standard D-Sub products**. This reduces space on new designs, and eliminates the need to redesign enclosures and PC boards when implementing IP67 design upgrades.

APPLICATIONS

- Hand held computers, scanners & printers that are used outdoors.
- Remote sensors, gauges & data loggers that are exposed to the elements.
- Industrial & medical equipment that is routinely subjected to wash down.
- Transmitters & emergency beacons that are subject to short term immersion.
- Gas, electric & water metering systems with embedded Smart Grid electronics.
- Consumer & commercial shipboard electronics, meters and sensors.

ELECTRICAL

- Standard D-Sub: 9 / 15 / 25 Positions | High Density D-Sub: 15 / 26 / 44 Positions
- Voltage: 500VAC for 1 minute
- Termination type: Solder Cup, Vertical PCB, Right Angle PCB (Male Only)
- Current rating: 5 AMPS
- Contact resistance: 15mOhms Max.

MECHANICAL

- Operating temperature: -50°C to 100°C
- Process temperature: 260°C
- Sealing material: F04 Flexible Adhesive (Female) | F08 Flexible Adhesive (Male)
- Wire size for solder cup termination: 26-20 AWG
- Panel Sealing Kits available (Purchased seperately)

STANDARDS AND SPECIFICATIONS

- Meets IEC-529-IP67 Requirements

NORCOMP | IP67 **SEAL-D®**
D-Sub Connectors

Follow NorComp



FOR MORE INFORMATION

www.norcomp.net

Technical Support

www.norcomp.net/contactus
800-849-4450